

Zone Pressure Pickup Ports

Accessories for HVAC/R

Automated Logic wall pressure pickup port comes standard on a brushed stainless steel plate sized to fit a common 2" x 4" electrical box. A foam gasket seals the plate or enclosure to the wall to insure the integrity of the measured space. The Wall Plate can be used for pressure alone or as a combination temperature sensor and pressure pickup port. The brass fitting on the back of all Pickup Ports accommodates standard 1/8" to 5/32" I.D. tubing.

Key Features

- Economical & Easy to Install
- Stainless Steel Plate for Wall Mount
- Ceiling Mount with or without J-Box
- 80 Micron Filter
- Accommodates 1/8" I.D. to 5/32" I.D. Tubing

Part Number

NSB-ZPS-ACC01-A
 NSB-ZPS-ACC05-A

Description

2" X 4" Stainless Steel Wall Plate with Static Pressure Pickup
 Ceiling Mount Square Cover with Static Pressure Pickup

Specifications

Environmental Operation Range:

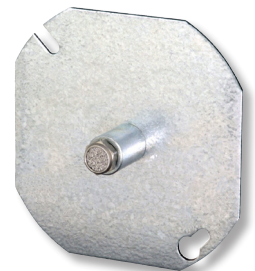
- Temp. - 32 to 122 °F (0 to 50 °C)
- Humidity 0% to 95% RH, non-condensing

Material

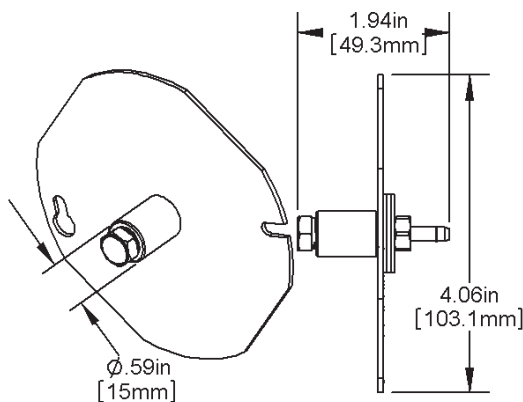
- Stainless Steel Plate



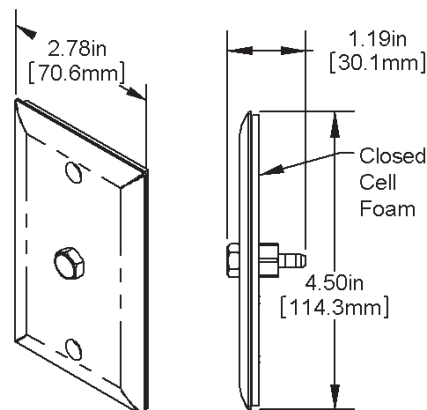
NSB-ZPS-ACC01-A



NSB-ZPS-ACC05-A



NSB-ZPS-ACC05-A



NSB-ZPS-ACC01-A



The WebCTRL® building automation system gives you the ability to understand your building operations and analyze the results. The WebCTRL system integrates environmental, energy, security and safety systems into one powerful management tool that allows you to reduce energy consumption, increase occupant comfort, and achieve sustainable building operations. Our web-based platform allows building managers to control and access information about their HVAC, lighting, central plant and critical processes on premises or remotely at any time of day.

