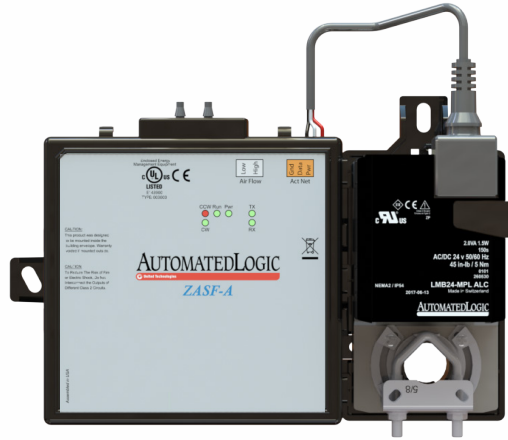


ZASF-A Secondary VAV Damper Terminal Box Accessory Controller



The Automated Logic® ZASF-A secondary VAV damper is an integral component of the WebCTRL® building automation system.

The ZASF-A is intended specifically for VAV terminal box applications and is designed to be used with the ZN341A and ZN141A. It mounts directly on the secondary VAV damper shaft and provides an integral actuator and a second integrated flow sensor for damper positioning and air-flow sensing in dual duct or tracking systems.

Key Features and Benefits

Application Features

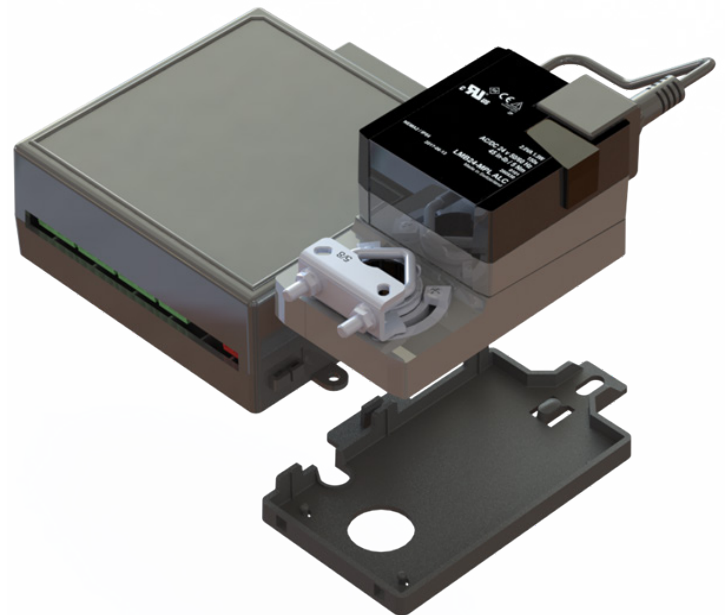
- Quick & easy test and balancing process

Hardware Features

- Separable actuator with a 45 inch-pound (5 Nm) torque rating that can be mounted up to a maximum distance of 300 feet from the controller
- Precision differential pressure sensor and advanced VAV algorithm increase occupant comfort at both minimum and maximum design air flows, while also extending actuator life

System Benefits

- Connects seamlessly to the WebCTRL building automation system



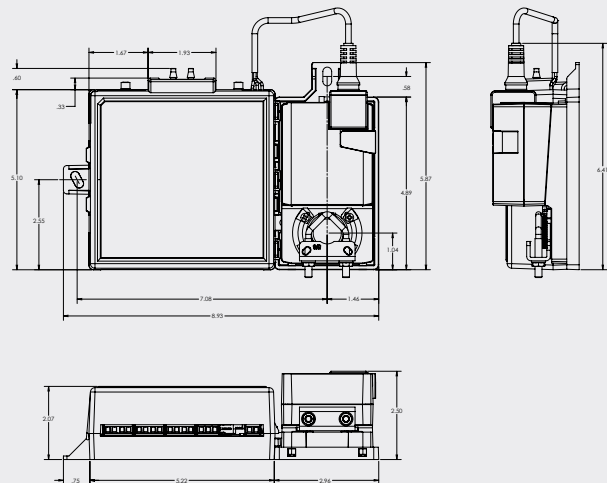
The WebCTRL® building automation system gives you the ability to understand your building operations and analyze the results. The WebCTRL system integrates environmental, energy, security and safety systems into one powerful management tool that allows you to reduce energy consumption, increase occupant comfort, and achieve sustainable building operations. Our web-based platform allows building managers to control and access information about their HVAC, lighting, central plant and critical processes on premises or remotely at any time of day.



ZASF-A Secondary VAV Damper

Specifications

Power	The ZASF-A receives power from the ZN341A or ZN141A. Increases the controller's power supply by 3 VA when connecting a ZASF-A	
Actuator	Belimo brushless DC motor, torque 45 inch-pounds (5 Nm), runtime 154 seconds	
Act Net port	To connect the actuator to the ZASF-A controller and to the ZN341A or ZN141A	
Integral airflow sensor	Precision differential pressure sensor 0–2 in. H ₂ O, sensitive down to ±0.001 in. H ₂ O. Barbed tapered airflow connections accept 3/16 in. (4.75 mm) I.D. tubing. Allows for readings across the 0–2in. H ₂ O range, accurate to ±5% of full flow at 2 in. H ₂ O	
Status indicators	LED's indicate status of communications, running, power, and motor direction	
Environmental op.range	32 to 130°F (0 to 54.4°C), 10–90% relative humidity, non-condensing	
Physical	UL94-5VA plenum rated enclosure for installation in plenum (or other space for environmental air) in accordance with NEC Section 300.22 (c) and (d)	
Controller and actuator mounting dimensions	7.1 in. (18.0 cm) from left side controller mounting hole centerline to actuator mounting hole centerline	
Controller mounting dimensions	5.3 in. (13.4 cm) from left side controller mounting hole centerline to right side controller mounting hole centerline	
Actuator mounting dimensions	4.4 in. (11.2 cm) from shaft centerline to mounting hole centerline	
	Controller overall dimensions	Actuator overall dimensions
	Width: 6.4 in. (16.3 cm)	Width: 3.0 in. (7.6 cm)
	Height: 5.7 in. (14.5 cm)	Height: 5.9 in. (15.0 cm)
	Depth: 2.1 in. (5.3 cm)	Depth: 2.5 in. (6.4 cm)



Listed by	UL-916 (PAZX), cUL-916 (PAZX7), FCC Part 15-Subpart B, Class B, CE
Weight	1.8 lbs (0.82 kg)

All trademarks used herein are the property of their respective owners.

1150 Roberts Boulevard, Kennesaw, Georgia 30144
770-429-3000 Fax 770-429-3001 | www.automatedlogic.com



WE MAKE BUILDINGS BETTER.

Next level building automation engineered to help you make smart decisions.