

Outside Air Temp and Humidity



Accessory for HVAC/R

Humidity control is an important aspect of any climate control system. Therefore, humidity sensors must be both accurate and dependable. Automated Logic's humidity sensors are prescreened for accuracy, eliminating the need for field calibration. The outside air units are also extremely dependable, with a watertight (IP66), UV-resistant polycarbonate enclosure.

Automated Logic outside air temperature and humidity sensors have etched Teflon™ leadwires and are built to withstand high humidity and condensation and perform under real world conditions. This is especially important in an outside air sensor which can be exposed to rain, snow, and large temperature swings.



| Part Number | Description |
|------------------------|---|
| NSB-10K-2-H200-O-BB2-A | 2%RH Outside Air Temp & Humidity Sensor with a Box Enclosure 10K-2 Thermistor in a Box enclosure , interchangeable 0 to 5 or 4 to 20 mA %RH Output |

Specifications

- Power:
- 10 to 35 VDC or 12 to 27 VAC (0 to 5 VDC %RH output)
- Power Consumption:
- 22 mA max. DC or 0.53 VA max. AC

Environmental Operation Range:

- Temp: -40 to 70 °C | -40 to 158 °F
- Humidity: 0 to 100% RH

Enclosure:

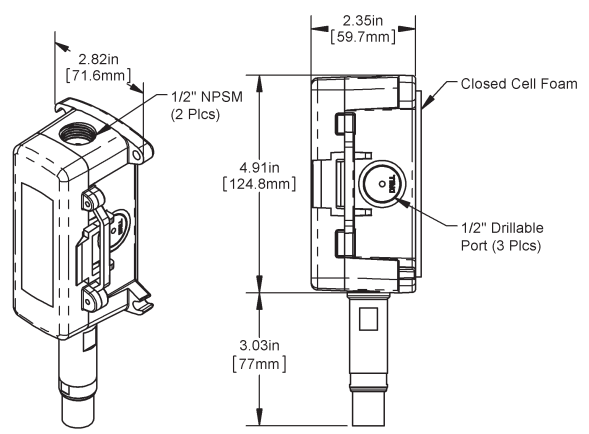
- UV-resistant polycarbonate, UL 94, V-0
- Enclosure Rating: IP66, NEMA 4

Humidity Sensor:

- Capacitive 2% or 3% RH (10 to 90% RH @ 23°C)

10K-2 Thermistor Sensor:

- Resistance: 10 kΩ @ 25°C, -55 to 150°C range
- Standard Accuracy: 0.2°C (±0.36°F) at 0 to 70°C
- Dissipation Constant: 2.7 mW/°C
- Stability(drift): Less than ±0.1°C (0.18°F) drift over 10 years



The WebCTRL® building automation system gives you the ability to understand your building operations and analyze the results. The WebCTRL system integrates environmental, energy, security and safety systems into one powerful management tool that allows you to lower energy consumption, increase occupant comfort, and achieve sustainable building operations. Our web-based platform allows building managers to control and access information about their HVAC, lighting, central plant and critical processes on premises or remotely at any time of day.

