

Averaging Duct Temp Sensors

Accessory for HVAC/R

Automated Logic's Duct Averaging Temperature Sensors feature closed cell foam to seal the probe insertion hole and absorb vibration. Mounting tabs allow for easy installation directly to the wall of the duct. All units have etched Teflon leadwires and encapsulated sensors to create a watertight package that can perform under real world conditions.

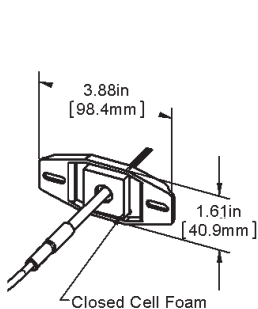
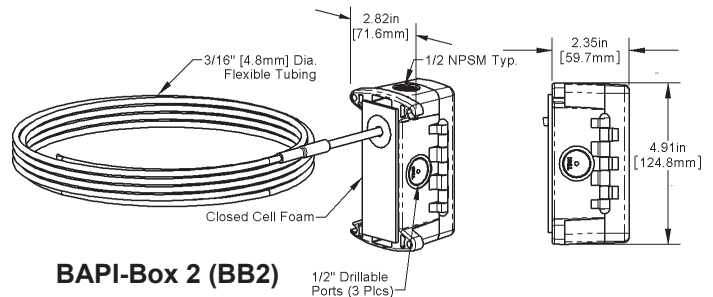
Averaging probes should be used wherever there is a chance for stratified layers of hot and cold air. Averaging probes are made of bendable aluminum tubing and measure temperature along their entire length. Nylon tie straps are provided for mounting.

Duct Averaging Temperature Sensors come standard with a 2"x4" steel J-Box but are also available with No Box, a BAPI-Box 4, or a BAPI-Box 2.

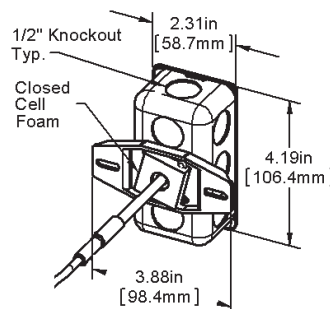


Key Features

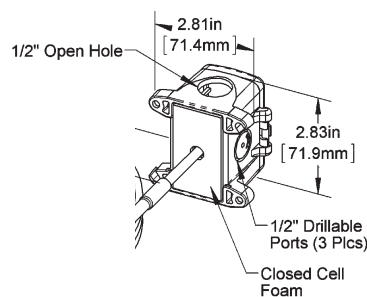
- Averaging Lengths: 8', 12' and 24'
- Several Enclosure Styles



No Box (NB)



J-Box (JB)



BAPI-Box 4 (BB4)

Averaging Duct Temp Sensors

Specifications

Environmental Operation Range:

Temperature Sensor:

- BB2 & BB4 Encl.: -40 to 85 oC
- J-Box, NB: -40 to 100 oC

Temperature Transmitter: -20 to 70 oC

- Humidity: 0 to 95%, non-condensing

10K-2 Thermistor Sensor:

- Resistance: 10 kΩ @ 25°C, -55 to 150°C range
- Standard Accuracy: 0.2°C (±0.36°F) at 0 to 70°C
- Dissipation Constant: 2.7 mW/°C
- Stability(drift): Less than ±0.1°C (0.18°F) drift over 10 years

Enclosure Rating:

J-Box Models: IP20, NEMA 1

BB4 Model: IP10 (IP44 with Knockout Plug)

BB2 Models: IP66, NEMA 4

Enclosure Material:

J-Box Model: Galv. Steel

BB2: UV-resist. polycarb., UL94, V-0

BB4: Nylon & Plastic, UL94, V-0

Encl. Dimensions: H x W x D

BAPI-Box 2 (BB2) 4.9 x 2.8 x 2.35" (125 x 71.6 x 60mm)

BAPI-Box 4 (BB4) 2.8 x 2.8 x 2.06" (72 x 71.4 x 52.3mm)

J-Box (JB) 4.2 x 3.9 x 1.94" (106 x 98.4 x 49mm)

Part Number

Description

NSB-10K-2-A-12-A	AVERAGING DUCT SENSOR - J-BOX ENCLOSURE - 12 FT. PROBE NO LOGO
NSB-10K-2-A-12-BB2-A	AVERAGING DUCT SENSOR - BB2 ENCLOSURE - 12 FT. PROBE LOGO - ALC
NSB-10K-2-A-12-BB4-A	AVERAGING DUCT SENSOR - BB4 ENCLOSURE - 12 FT. PROBE LOGO - ALC
NSB-10K-2-A-24-A	AVERAGING DUCT SENSOR - J-BOX ENCLOSURE - 24 FT. PROBE NO LOGO
NSB-10K-2-A-24-BB2-A	AVERAGING DUCT SENSOR - BB2 ENCLOSURE - 24 FT. PROBE LOGO - ALC
NSB-10K-2-A-24-BB4-A	AVERAGING DUCT SENSOR - BB4 ENCLOSURE - 24 FT. PROBE LOGO - ALC
NSB-10K-2-A-8-A	AVERAGING DUCT SENSOR - J-BOX ENCLOSURE - 8 FT. PROBE NO LOGO
NSB-10K-2-A-8-BB2-A	AVERAGING DUCT SENSOR - BB2 ENCLOSURE - 8 FT. PROBE LOGO - ALC
NSB-10K-2-A-8-BB4-A	AVERAGING DUCT SENSOR - BB4 ENCLOSURE - 8 FT. PROBE LOGO - ALC
NSB-10K-2-D-12-A	DUCT TEMP PROBE - J-BOX ENCLOSURE - 12 IN. PROBE NO LOGO
NSB-10K-2-D-12-BB2-A	DUCT TEMP PROBE - BB2 ENCLOSURE - 12 IN. PROBE LOGO - ALC

1150 Roberts Boulevard, Kennesaw, Georgia 30144
770-429-3000 Fax 770-429-3001 | www.automatedlogic.com

AUTOMATEDLOGIC
United Technologies